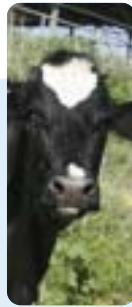


IDEal



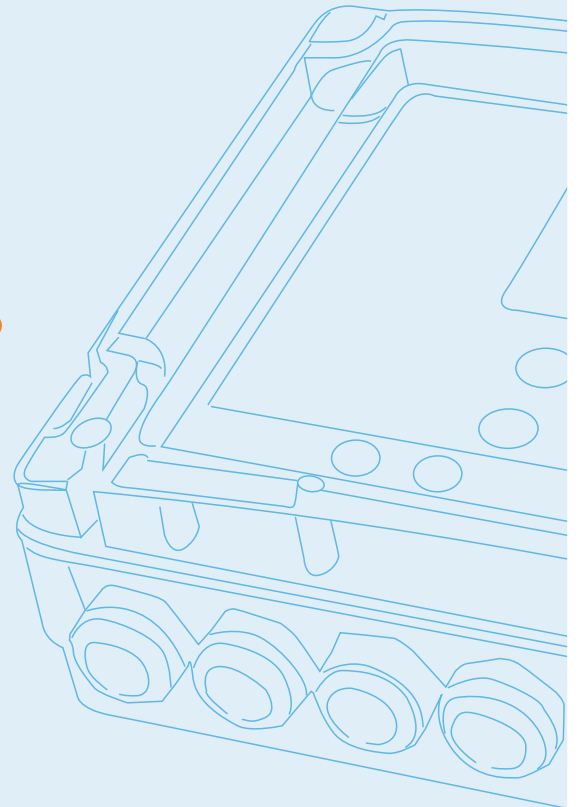
IDEal

Identification System

Identification System

Accurate on-the-farm animal identification and data recording is a pre-condition for ensuring efficient dairy management. High levels of animal ID is the primary factor for the success of any automated data collection system.

Afi IDEal identification system is an important component of every AFI system. It is comprised of three main components – IDEal Controller, antennas and AfiTag – an ID transponder and pedometer attached to the cow's leg.



afimilk™

The Heart of the Dairy Farm

SAE Afikim Kibbutz Afikim, 15148 Israel

Tel: 972-4-6754812, Fax: 972-4-6751862

market@afimilk.co.il www.afimilk.com

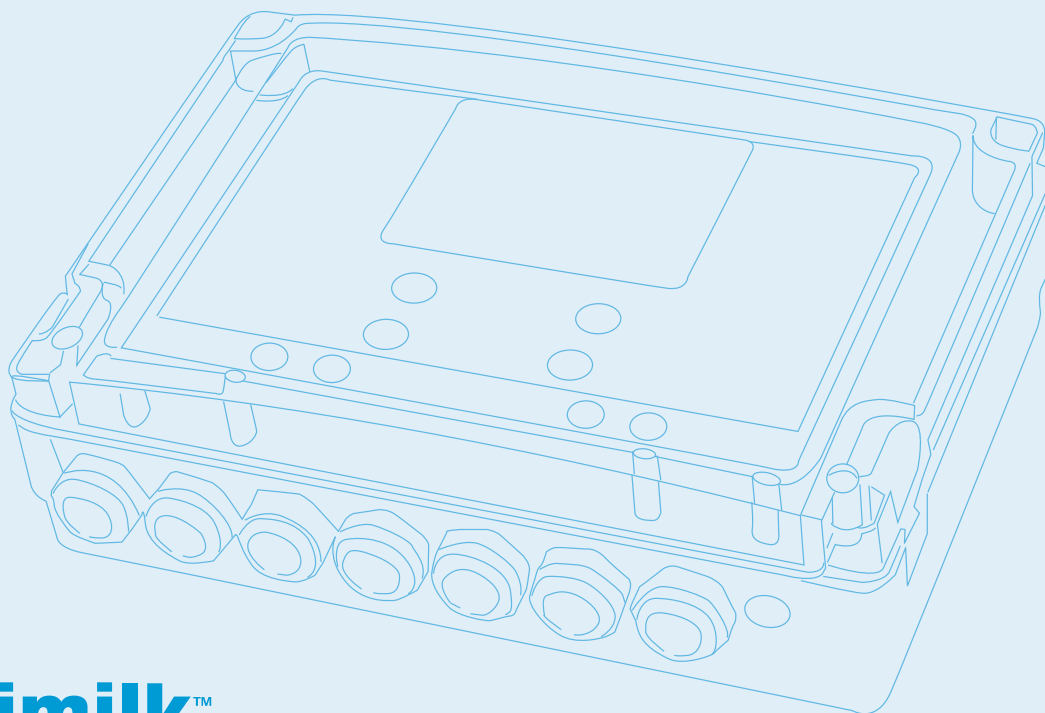
IDEal



IDEal System

The **IDEal** is an electronic system, using low power radio frequency transmission for transmitting information from the cow to the computerized system. The **IDEal** system is compliant with all the regulations for transmitting systems in Europe and in North America. The **IDEal** system serves the different Afi modules (**AfiMilk**, **AfiSort**, **AfiWeigh**...) as an identification system, while in the **AfiAct** system it is recording the animals' activity.

There is one thing on which we, in the **AfiMilk** group do not compromise – the quality and reliability of the information gathered by our sensors. With this in mind, we designed our **IDEal** system for milking parlors to identify the cows in the milking point rather than at the parlor entrance. This ensures maximum system reliability, ensuring that all the data collected is assigned to the correct animals.



IDEal